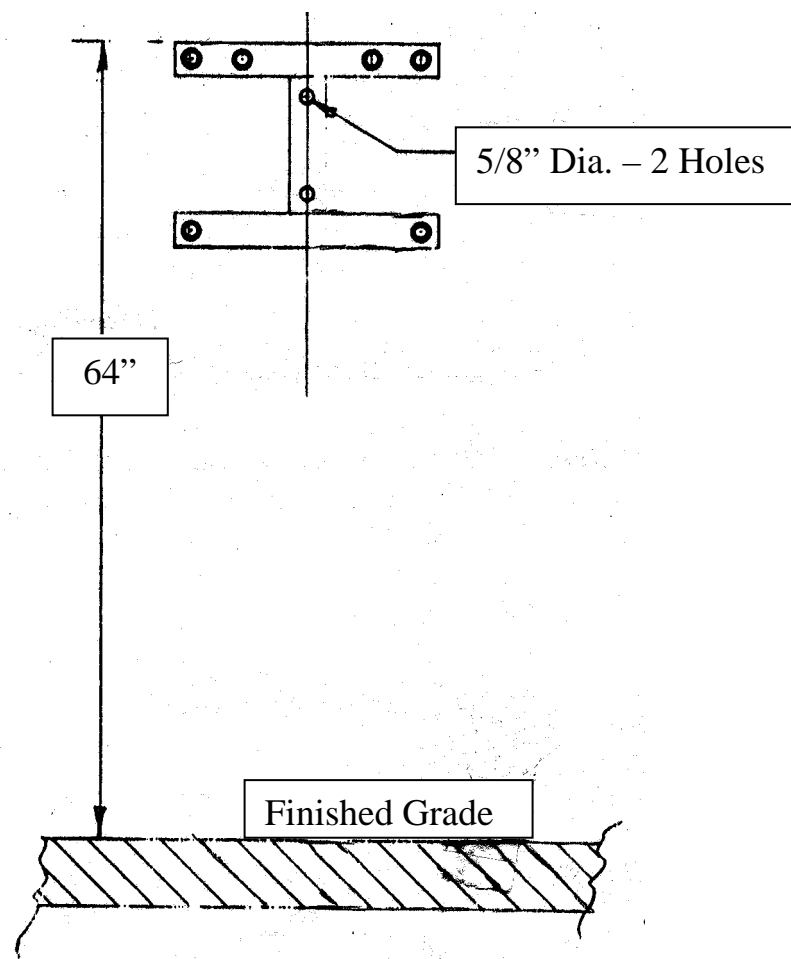




## Instructions for Mounting to “H” Bracket

EVD-3, CCD-1, CSR/CSR-P

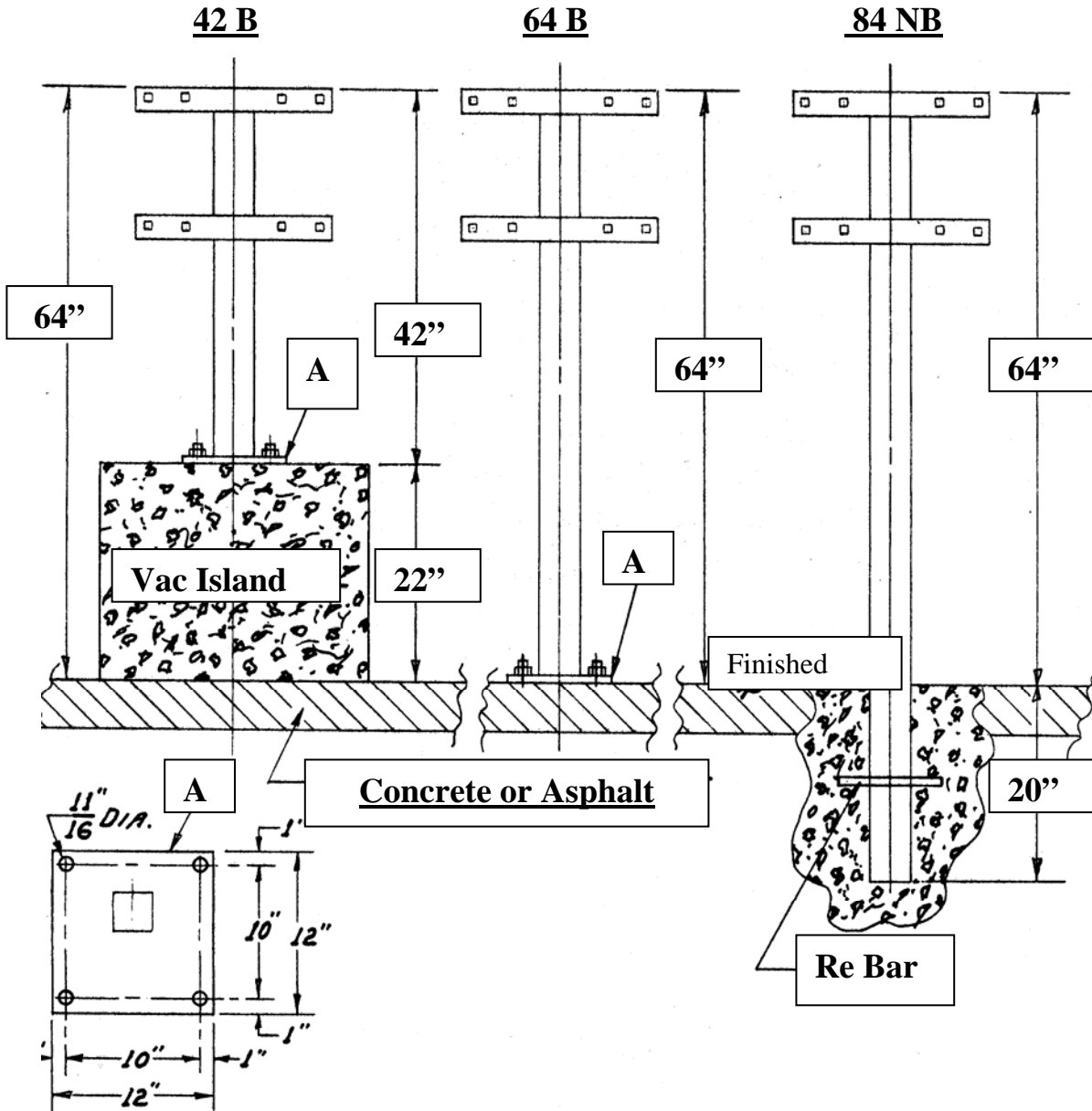
### “H” BRACKET



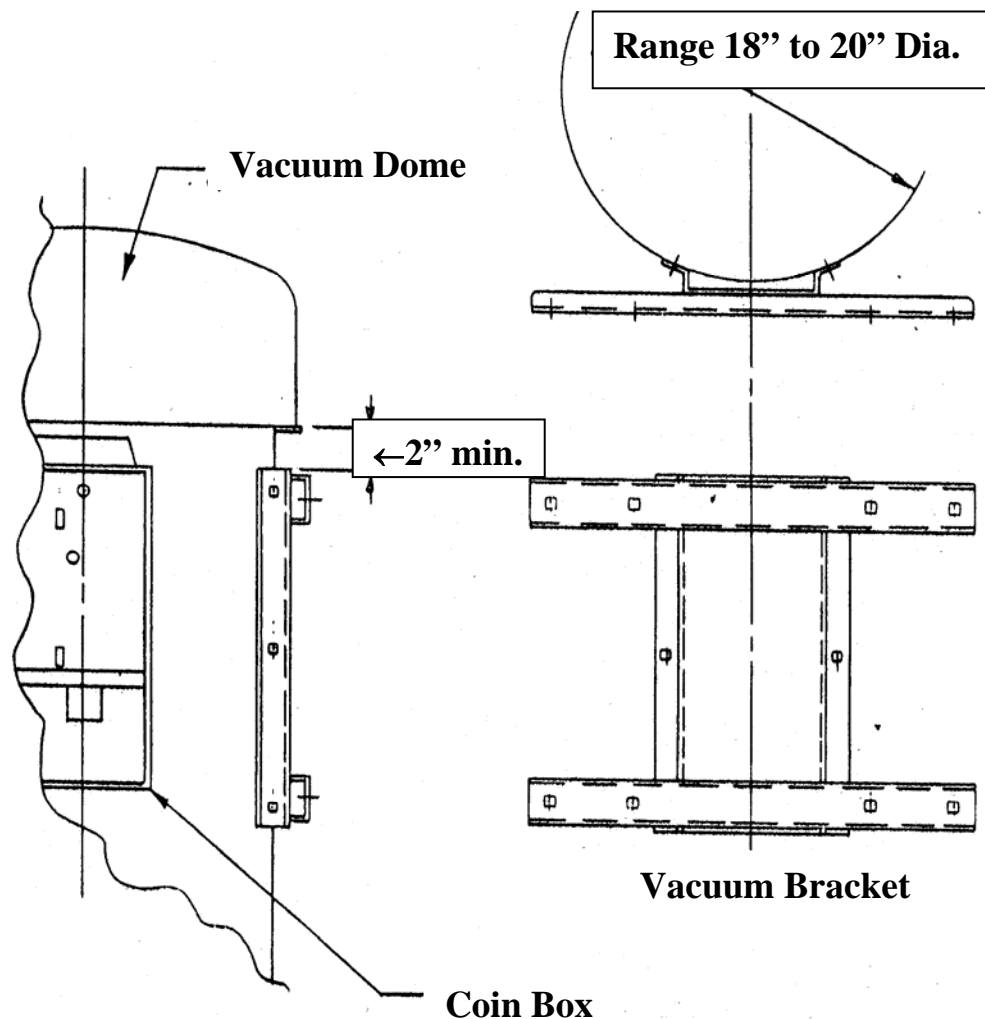
**Note: Bracket available in mild steel (primed) only.**

# Instructions for Mounting to Pedestal

**TOP OF BRACKET SHOULD BE 64" ABOVE FINISHED GRADE  
REGARDLESS OF TYPE OF MOUNTING BRACKET USED.**



# Instructions for Mounting to Vacuum



1. Place vac bracket 2" below vac dome—level-mark 6 holes.
2. Drill 6-3/8" holes in canister to match vac bracket.
3. **Caution!!** Be careful not to drill through the vac bags inside canister.
4. Install vac bracket-silicone bolts, nuts and washers inside vac canister.

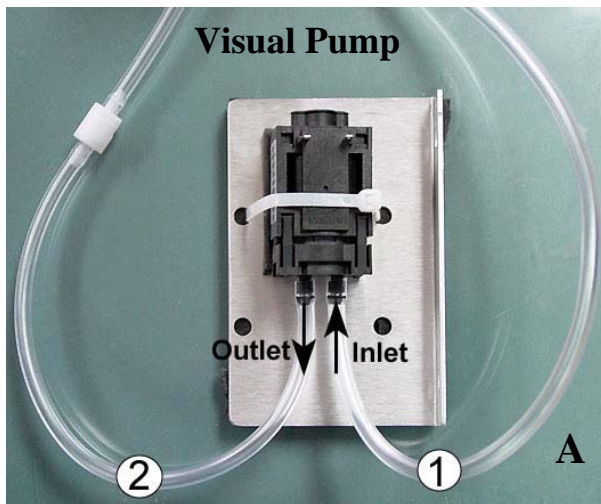
**Note: Bracket available in stainless steel only**

# **Installation Instructions**

1. Connect to properly grounded power source.
2. The red light above fuse holder is a heat indicator, which lights only when the automatic compressor heat circuit is activated during temperatures below 37° F.
3. The red light on the electrical box indicates that power is being supplied to the machine.
4. When the fragrance selector switch is in the UP position, the fragrance from the LEFT (One gallon) bottle will be dispensed (position 1). Placed in the MIDDLE position (2), the fragrance will be dispensed from line 2 in the ½ gallon bottle, and in the DOWN position (3), from line 3 in the ½ gallon bottle. The pick up tubes are numbered accordingly. Simply fill the ½ gallon bottles out of the one-gallon containers that are included with your machine order.
5. See the instructions for filling the Visual Display on the next page.

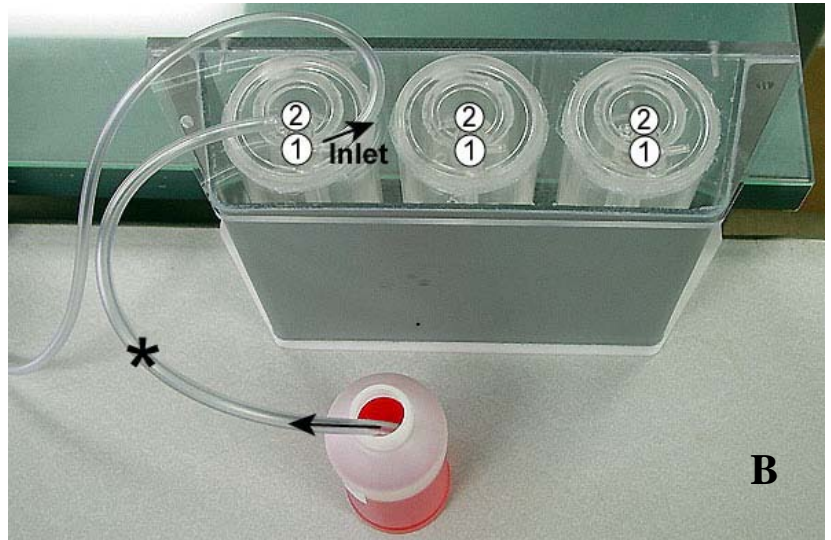
**NOTE: WARRANTY PERIOD ON INTERNAL WORKMANSHIP (EXCLUDING VISUAL AIR SUPPLY PUMP AND HOSE & HANDLE ASSEMBLY) IS FOR ONE YEAR FROM DATE OF PURCHASE.**

# Instructions for Visual Display



**Step 1:** Connect Tube #1 (the inlet tube from the pump) to Visual Barb #1 on Cylinder #1 (Cylinder closest to door hinge) in Figure B.

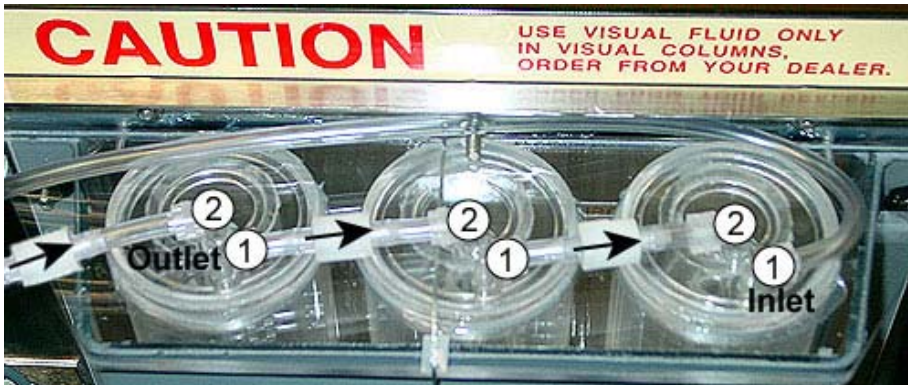
**WITH POWER OFF!**



**Step 2:** Connect additional tubing\* to Visual Barb #2 and drop into visual fluid. Turn power on creating suction and allowing fluid to fill the cylinder.

*Repeat Steps 1 & 2 for other colors, filling cylinders 2 & 3.*

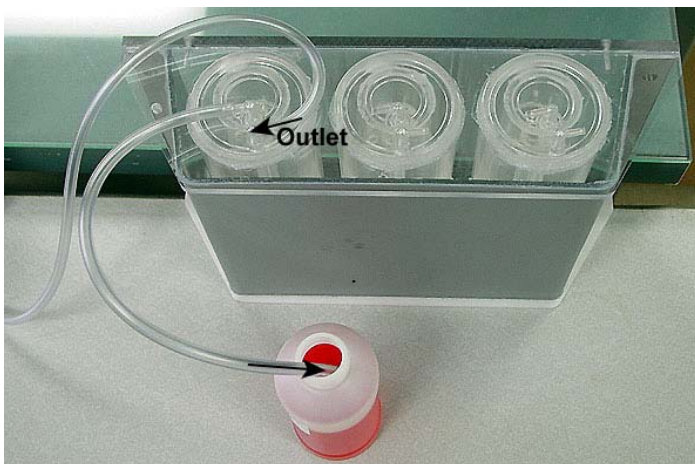
**\*Additional tubing to fill visual only**



**Step 3:** Re-Affix sleeves onto Visual Barbs, tightening hand tight. Use arrows as flow guide.

**NO TOOLS REQUIRED**

Photo on left shows completed visual display.



## **To Empty Visual Display:**

Connect Tube #2 (outlet tube from the pump) in Figure A to Visual Barb #1 in Figure B. Turn power on to create pressure that will push out the visual fluid.